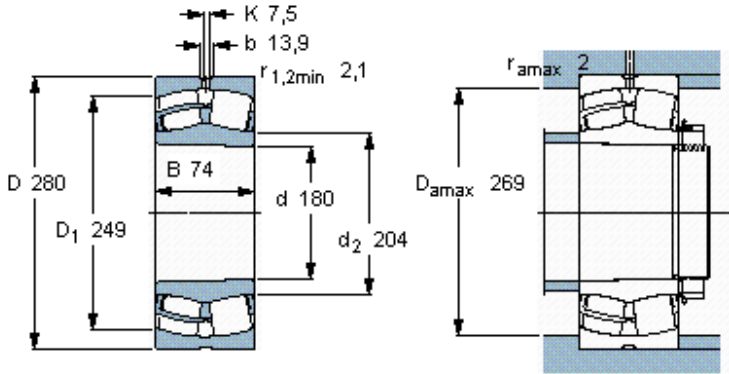


Spherical roller bearings, cylindrical and tapered bore

| Principal dimensions | | | Basic load ratings | | Speed ratings | | Designation |
|----------------------|-----|----|--------------------|--------------|-----------------|----------------|-------------------------------|
| d | D | B | dynamic C | static C0 | Reference speed | Limiting speed | |
| mm | | | kN | | r/min | | * SKF Explorer bearing |
| 180 | 280 | 74 | 883 | 1250 | 2000 | 2600 | - 23036 CCK/W33 * |



Tapered bore, taper
1: 12

- Calculation factors**
- e 0,24
 - Y_1 2,8
 - Y_2 4,2
 - Y_0 2,8